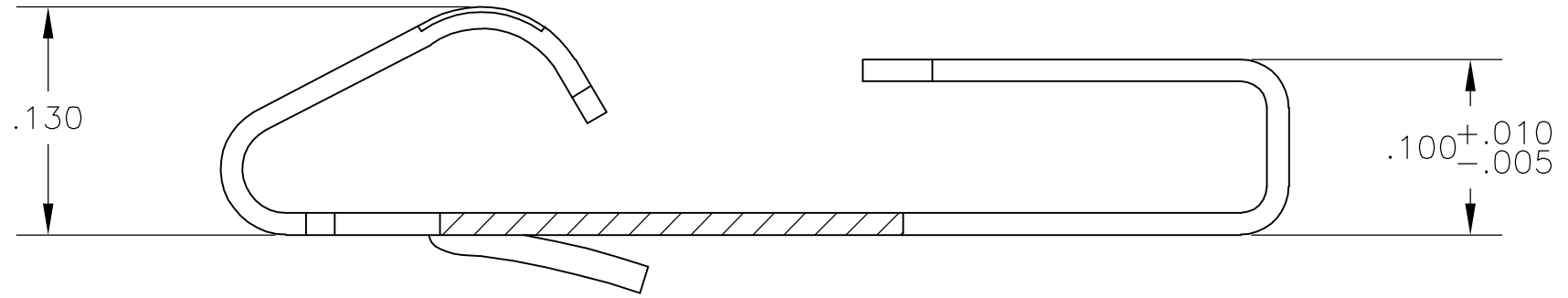
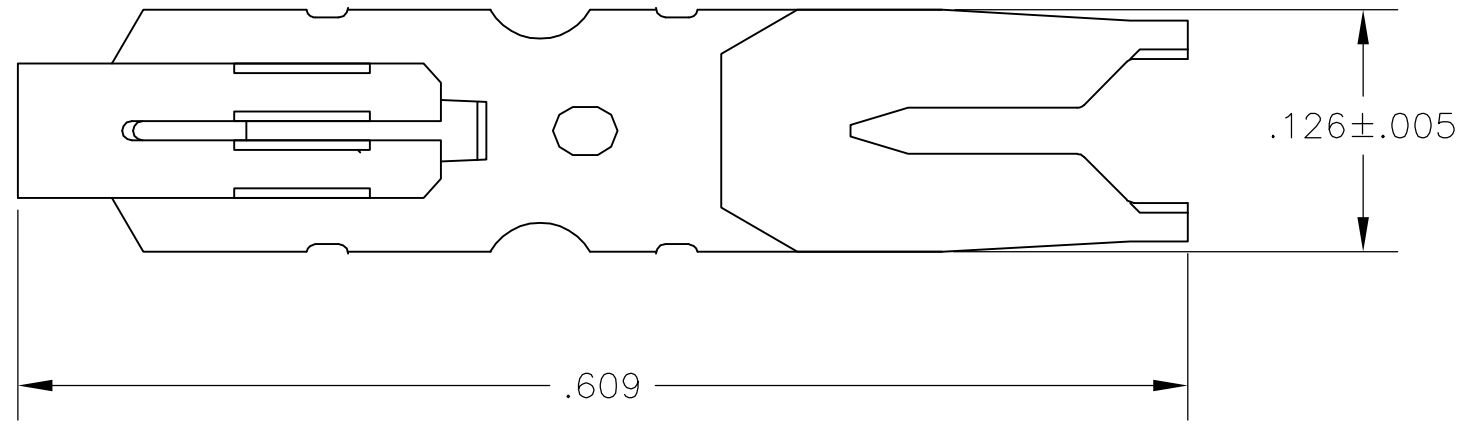
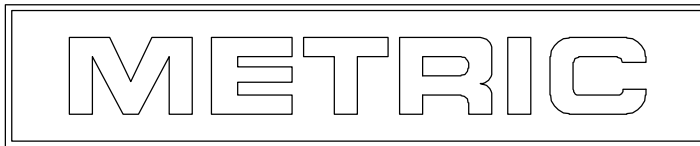


THIS DRAWING IS UNPUBLISHED. RELEASED FOR PUBLICATION
 © COPYRIGHT - BY TYCO ELECTRONICS CORPORATION. ALL RIGHTS RESERVED.

LOC CM	DIST 00	REVISIONS			
P	LTR	DESCRIPTION	DATE	DWN	APVD
	D	EC 0G3B 0202 05	30JUL05	BSV	DB



-	-
-	-
-	-
.609	15.47
.130	3.30
.126	3.20
.100	2.54
.012	0.30
.010	0.25
.005	0.13
IN	MM
CONVERSION TABLE	



3-640992-1
 PART NUMBER

THIS DRAWING IS A CONTROLLED DOCUMENT.		DWN J.HUFFMAN 18APR96	Tyco Electronics Corporation Harrisburg, Pa 17105-3608			
DIMENSIONS: INCHES		CHK R.SWING 18APR96				
TOLERANCES UNLESS OTHERWISE SPECIFIED:		APVD D.CLARK 22APR96	NAME CONTACT, LOOSE PIECE, #20AWG, EDGE CONNECTOR, MTA-156			
		PRODUCT SPEC -	APPLICATION SPEC -			
MATERIAL .012 THK COPPER ALLOY		FINISH TIN PLATED	SIZE A3	CAGE CODE 00779	DRAWING NO C-640992	RESTRICTED TO -
CUSTOMER DRAWING			SCALE 10:1	SHEET 1 OF 1	REV D	